

TAYLOR • CONSTRUCTION • PLANT LTD

Rammax

COMPACTION EQUIPMENT

amida

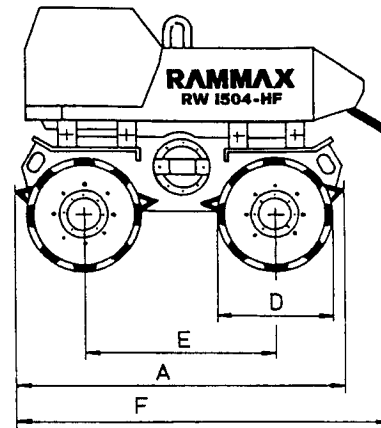
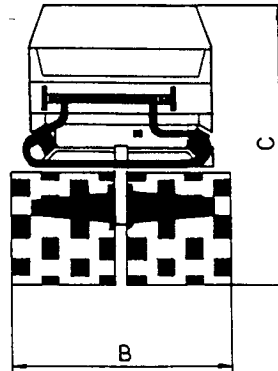
MOBILE FLOODLIGHTING & CONCRETE EQUIPMENT

CORNIVER

COMPACTION EQUIPMENT

MILL WORKS, HAZELEIGH, CHELMSFORD, ESSEX CM3 6QT. Tel: 44 (0)1621 828070 Fax: 44 (0)1621 828066

RAMMAX COMPACTION ROLLER RW1504HF



Dimensions cm	A	B	C	D	E	F
	146 cm	85 cm	120 cm	50 cm	85 cm	177 cm

Weights	Intrinsic weight Operational weight Central axle load	85cm wide drums 1413 kg 1480 kg 740 kg	63 cm wide drums 1341 kg 1408 kg 704 kg
Driving characteristics	Driving speed Forward/reverse With vibration Without vibration Rapid traverse		0 - 16 m/min 0 - 16 m/min 0 - 35 m/min
Maximum climbing ability	With vibration Without vibration		45% 55%
Drive system	Engine manufacturer Type Cooling No. of cylinders Output Speed Battery Drive mode Driven facings		Hatz 2G40 air cooled 2 13.2 kW (18 hp) 2600 rpm 12V 72Ah hydrostatic 4
Brakes	Service brake Parking brake		Hydrostatic Hydromechanical
Steering	Steering mode Steering actuation		Lever steering Hydrostatic
Vibration	Vibrating facings Drive mode Frequency Amplitude Centrifugal force		4 Hydrostatic 30 2.2 mm 82 kN (8200 kp)
Filling qualities	Fuel Hydraulic oil Gear oil (per drive system)		25 l 70 l 1.1 l
Special equipment	Facings		Standard profile Cam height 15 mm Round profile Cam height 18 mm

Taylor Construction Plant Ltd.

Registered Office: Mill Works, Hazeleigh, Chelmsford, Essex CM3 6QT

Company Registered No. 2373851

VAT Registered No. 529 3897 95

amida
Authorized Distributor

CPA
MEMBER 04880